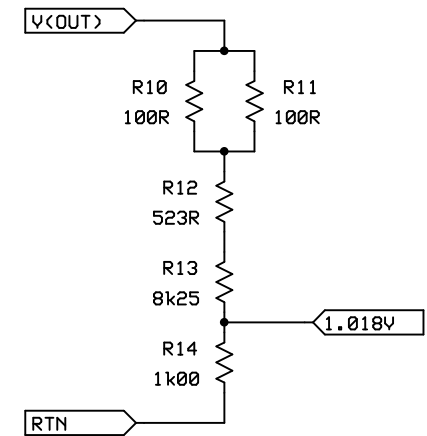


$R1 = 10k000$
 $R2/R3 = 50k000/50k000 = 25k000$
 $R4/R_SOT = 500R00/14k000 = 482R7586207$
 $RA / RB = 10k000 / 25k4827586207 = 0.392422192$
 $Au = 1 + 0.392422192$
 $Au = 1.392422192$
 $V<REF> = 7.18173V$
 $V<OUT> = 1.392422192 \times 7.18173V$
 $V<OUT> = 10.00000023V$



NoName		
OpAmp Resistor Board		
Simon	Rev A 08-12-2014	Page 1 of 1