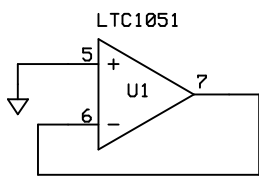
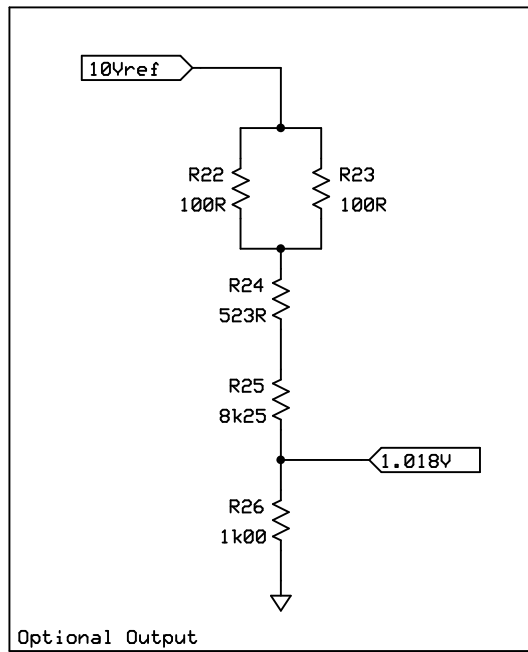
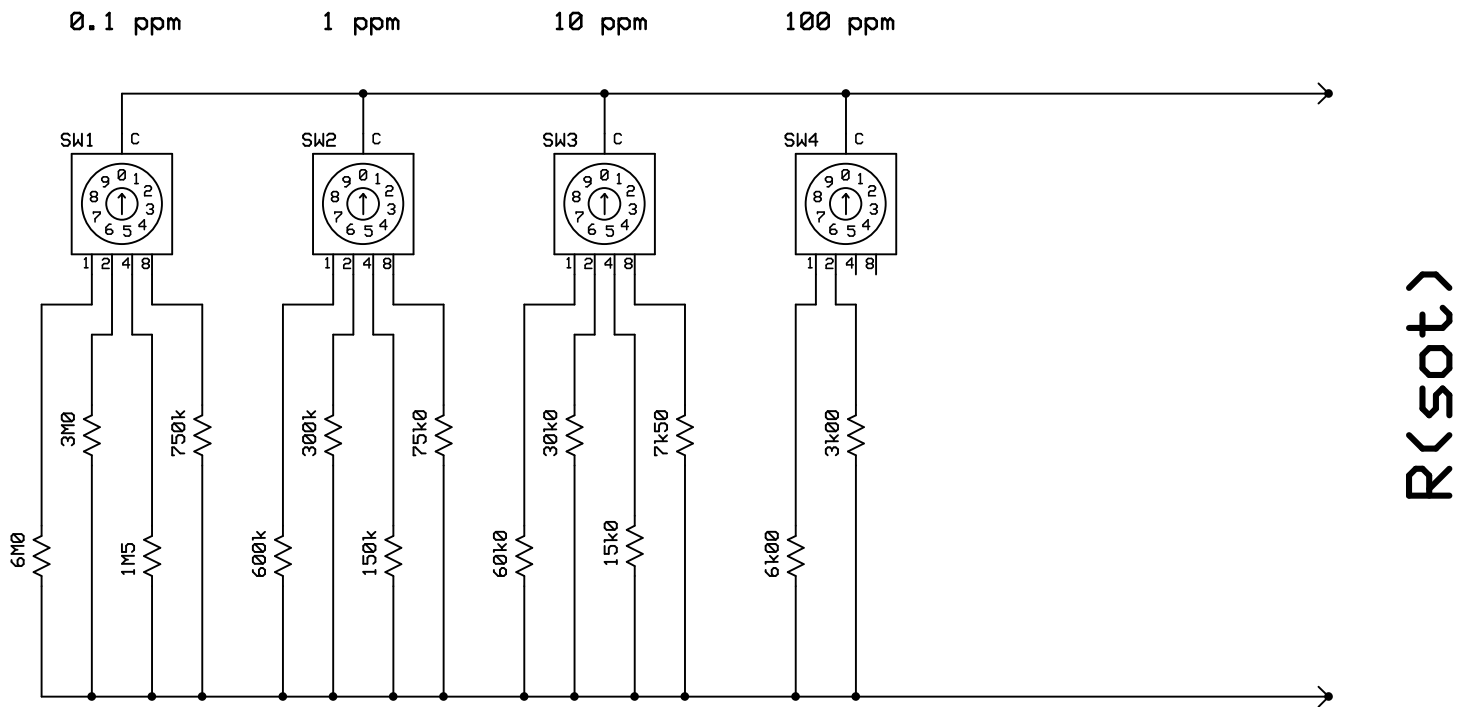


R(sot)
See next page



NoName		
OpAmp Resistor Board		
Simon	Rev 1.0	Page 1 of 2
	02-02-2014	



NoName		
R(sot)		
Simon	Rev 1.0	Page 2 of 2
	02-02-2014	