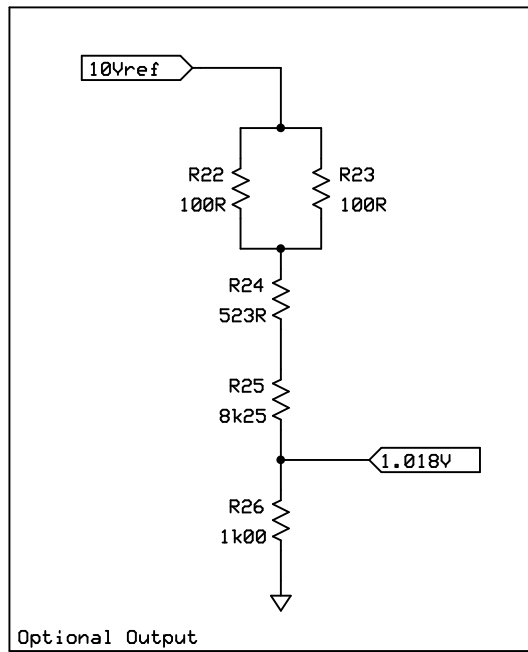
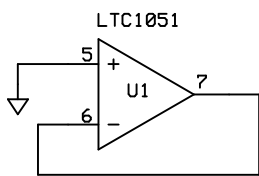


R(sot)
See next page



Optional Output



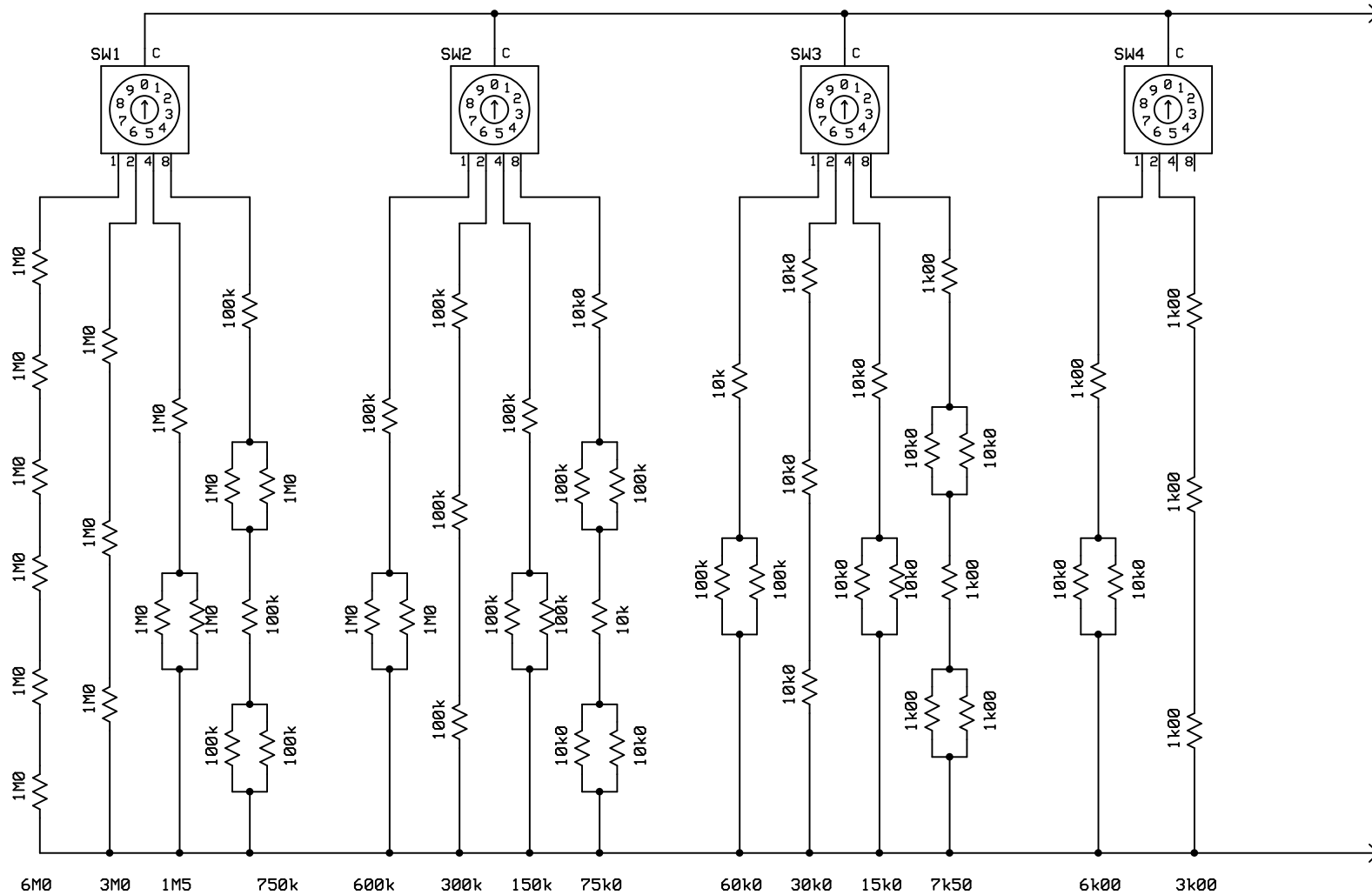
NoName		
OpAmp Resistor Board		
Simon	Rev A1	Page 1 of 2
	16-05-2014	

0.1 ppm

1 ppm

10 ppm

100 ppm



R(sot)

NoName		
R(sot)		
Simon	Rev A1	Page 2 of 2
	16-05-2014	